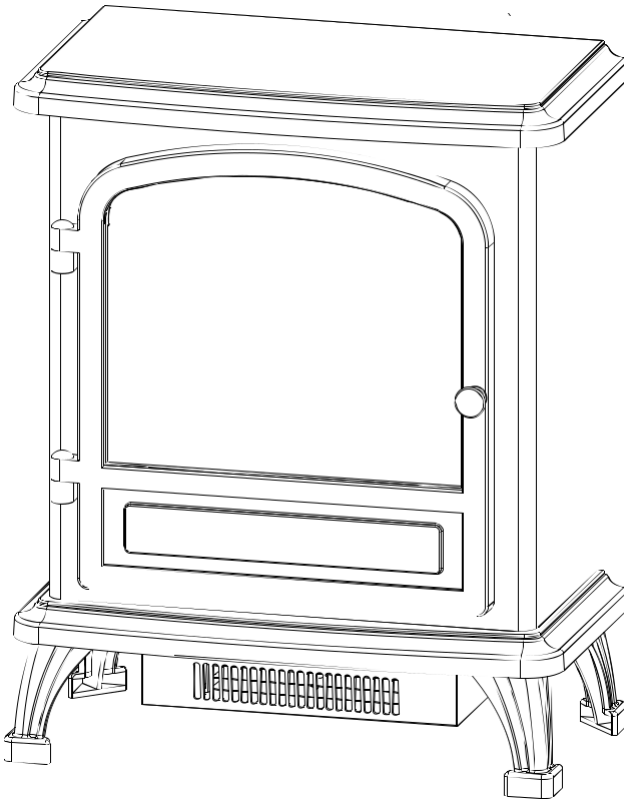


LED Electric Stove

Dallas

INSTALLATION AND OPERATING INSTRUCTIONS



**Please read the instructions carefully before installation or use.
keep for future reference**

CONTENTS

1. Important Safety Information	1
2. Technical Specifications	3
3. Parts and Hardware.....	4
4. Appliance Dimensions	5
5. Installation Instructions	5
6. Operating Instructions	7 6a.
Manual Control Panel	8 6b.
Remote Controls.....	9
7. Maintenance.....	10
8. Others.....	11

1.IMPORTANT SAFETY INFORMATION

- 1.1 **Read all of the instructions carefully before using the appliance.**
- 1.2 **For indoor use only.** This appliance is not suitable for use outside the house or as a primary heat source.
- 1.3 Do not use this appliance in the immediate surroundings of a bath, a shower or a swimming pool.
- 1.4 Do not use this fire as a free-standing appliance. It must always be fixed to the wall, fireplace mantel, floor etc.
- 1.5 This fire must not be located immediately below a socket-point.
- 1.6 This appliance must be earthed.
- 1.7 This appliance must not be supplied through an external switching device, such as a timer, or connected to a circuit that is regularly switched on and off by utility in order to prevent a hazard caused by a inadvertent resetting of the thermal cut out.
- 1.8 If the power cord is damaged, it must be repaired by the manufacturer, its authorized service center or a suitably qualified individual
- 1.9 **DO NOT COVER: Warning:** in order to avoid overheating, do not allow the appliance to be covered or let the air inlet/outlet become obstructed.

- 1.10 To reduce the risk of fire, keep textiles, curtains, or any other flammable material a minimum distance of **1 metre** from the air outlet.
- 1.11 Keep the power cord away from hot surfaces and hot conditions. Do not route the power lead in front of the appliance.
- 1.12 Do not use this fire in rooms that contain explosive fumes (for e.g petrol), or where you are using solvents, glue, aerosol spray or flammable paints, as these may catch fire.
- 1.13 This appliance can be used by children aged over 8 years old and persons with reduced physical, sensory or mental capabilities or lack of experience and knowledge if they have been given supervision or instruction concerning use of the appliance in a safe way and understand the hazards involved.
- 1.14 Children and vulnerable people must be supervised at all times when using this appliance, as some parts can become very hot and cause burns.
- 1.15 Do not use this appliance in small rooms when they are occupied by persons not capable of leaving the room on their own, unless constant supervision is provided.
- 1.16 Children aged between 3 and 8 years old should only switch on/off the appliance provided that it has been placed or installed in its intended normal operating position and instructions and supervision concerning the safe usage of the appliance are given.

1.17 Cleaning and user maintenance shall not be undertaken by children without supervision.

1.18 This appliance is not a toy.

1.19 Children of less than 3 years should be kept away unless continuously supervised.

1.20 Keep the power plug accessible after installation.

Information below for authorized person or service centre only:

A non-rewireable plug fitted with a 13A fuse is supplied. Should the fuse or plug need replacing, and you are competent to do so, it must be replaced with a 13A fuse or plug being 13A BS1363A approved.

2. TECHNICAL SPECIFICATIONS

Model No.: DALLAS

Supply Voltage: AC 220-240V 50Hz

Maximum power consumption: 2KW

Power for flame effect: 6W (LED 2W + Motor for flame 4W)

Power for mood light: DC12V, Max 3.12W, 0.26A

Heat Output:

Nominal heat output (Pnom): 2KW

Minimum heat output(indicative) (Pmin): 1KW

Maximum continuous heat output (Pmax): 2KW

Auxiliary Electricity Consumption:

At nominal heat output (elmax): 12.5W

At minimum heat output (elmin): 12.0W

In standby mode (elSB): 0.49W

Type of heat output / room temperature control

Single stage heat output and no room temperature control	No
Two or more manual stages, no room temperature control	No
With mechanic thermostat room temperature control	Yes
With electronic room temperature control	No
Electronic room temperature control plus day timer	No
Electronic room temperature control plus week timer	No

Other Control Options

Room temperature control, with presence detection	No
Room temperature control, with open window detection	No
With distance control option	No
With adaptive start control	No
With working time limitation	No
With black bulb sensor	No

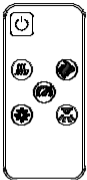
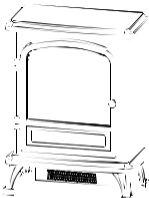

3. PARTS AND HARDWARE

3.1 Unpacking the fire carefully, ensure the appliance is intact with no signs of damage caused by transport and no part has been exposed to water. If in doubt, do not use the appliance and contact an authorised service centre.

3.2 Keep plastic wrapping away from children.

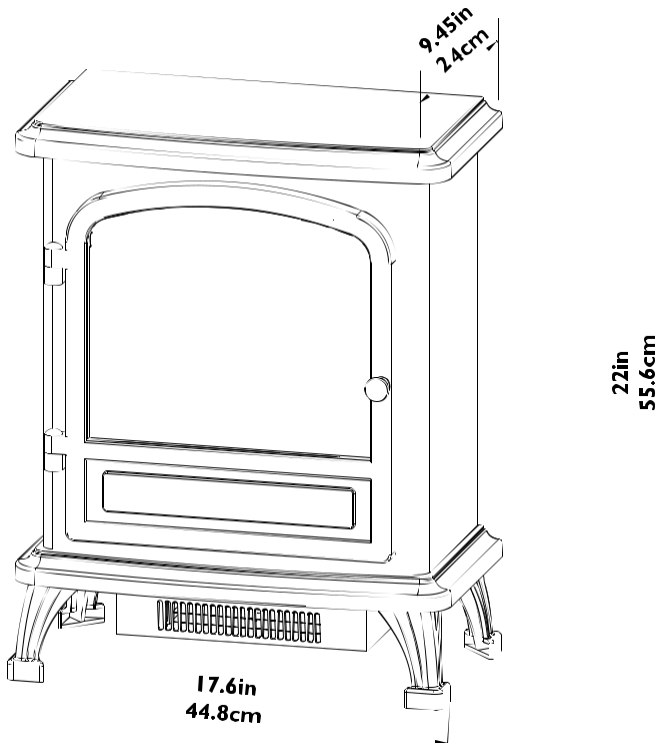
3.3 Save the original packaging as this may be required in the event of service complaint with product.

3.4 Check that all parts are removed from the packing.

 <p>Remote Handset (1)</p>	 <p>Electric Stove (1)</p>	 <p>Instructions (1)</p>	
---	---	---	--

4. APPLIANCE DIMENSIONS

Unit: cm/in



5. INSTALLATION INSTRUCTIONS

Tools Required - None

Locating the Appliance

- The appliance is supplied with a pre-wired three pin BS1363 plug (13 Amp fuse rated) and 1.7metres of electrical flex. It is therefore necessary for a suitable electrical socket to be located within this distance of the appliance and be easily accessible.
- The stove may be installed virtually anywhere, however the heater outlet is underneath the stove and certain types of floor covering may be affected by the heat produced by the stove.
- The ability of the floor covering to withstand the heat produced by the stove should be ascertained before proceeding with the installation of the stove. If in doubt then the stove should be mounted on a non-combustible hearth or plinth which extends for at least 150mm in front of the stove.
- This appliance should be positioned on a firm level surface.
- If the stove is to be sited in a fire surround then the suitability of the surround for use with electrical heaters should be established with the fire surround manufacturer.
- If fitted into an open draft fireplace, it is advisable to block off the chimney to reduce the risk of draft through the stove as this may start the operation of the safety cut out system in the fan heater .

6. OPERATING INSTRUCTIONS

WARNING! Do not operate the appliance if it is damaged or has malfunctioned. If you suspect the appliance is damaged or has malfunctioned call a qualified service engineer to inspect the appliance and replace any part of the electrical system if necessary, before reuse.

WARNING! To reduce the risk of fire, keep textiles, curtains, or any other flammable material a minimum distance of 1 metre from the air outlet.

ENSURE the plug fits tight in the socket Faulty wall socket connections or loose plugs can cause the socket to overheat.

Do not disconnect the power at the mains supply whilst the appliance is running. Use the functions on the remote to turn the fire off and ensure the mains switch has been moved to the off position before disconnecting.

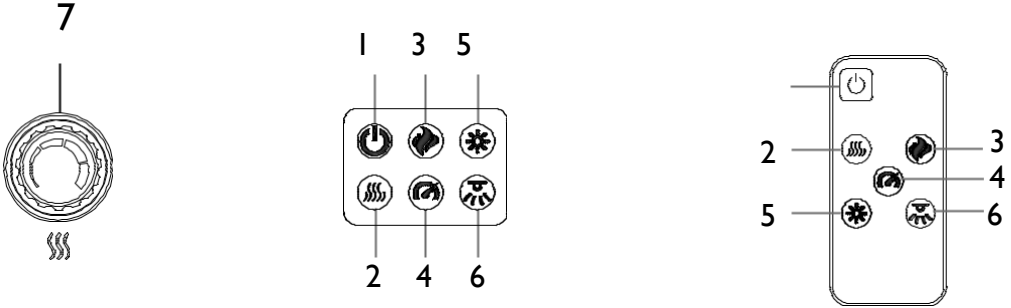
PREPARATION BEFORE USE

6.1 The appliance can be operated by both remote control and the manual controls on the appliance.

Batteries

The batteries have already been inserted in the remote control.

6a. MANUAL CONTROL PANEL



1. **Power:**

This button turns the appliance on/off.

The LED flame effect and fuel bed light up on the orange, medium setting.

2. **Heater:**

Press once for the low heat setting.

Press twice for the high heat setting.

Press a third time to turn the heat function off.

3. **Flame Colour Effects:**

There are 5 different flame effects are available:

1. LED Flame effect orange.

2. LED Flame effect red.

3. LED Flame effect blue.

4. LED Flame effect purple.

5. The unit will cycle automatically between all flame effects periodically.

4. **Flame speed:**

Flame speed range: Setting 1 the slowest to setting 2 the fastest: (1) -8rpm (2) -11rpm .

(CYCLE) (2) -11rpm is the default setting.

5. **Flame Brightness:**

This button controls the brightness of the flame effect and the fuel bed with different 5 modes.

6. **Top Light Colour Effects:**

There are 13 different colour effects.

7. **Thermostat Knob** Turn the control knob until the desired room temperature is achieved.

Resetting the Thermal Cut Out

6a.1 The appliance is fitted with an Electronic Safety Control (E.S.C). This is a safety device which switches off the fire if, for any reason, the appliance overheats, e.g. when covered. If the heater stops operating while the flame effect continues working normally, this indicates that the E.S.C is in operation. The E.S.C can only be re-set after the appliance has cooled down, and the appliance has been reset. Re-setting of the E.S.C is as follows:

6a.2 Switch off the appliance (Manual On/Off switch) and leave it off for approximately 10-15 minutes.

6a.3 Remove any obstruction to the fan heater outlet or fan blades etc. Make sure that the power supply is disconnected with the plug socket outlet while doing this.

6a.4 Switch on the appliance and the E.S.C will be re-set.

6a.5 Ensure that the appliance is functioning correctly. If the E.S.C switches on again, the appliance should be checked by a qualified electrician.

6b. REMOTE CONTROL

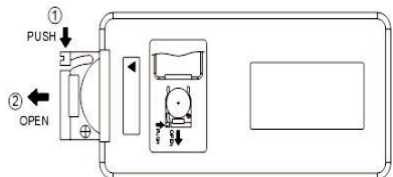
6b.1 Remote Control

The fire is supplied with an IR multifunction remote.
The plastic insulating sheet needs to be removed before the remote will work.

Battery Replacement

Battery Requirements: 3V CR2025

1. Locate and remove the battery bracket.
2. The battery has two sides, one with a button feature, and the other is flat.
3. Insert the battery with the button side down into the battery bracket, making sure the battery is firmly seated.



7. MAINTENANCE

ALWAYS DISCONNECT THE APPLIANCE FROM THE MAINS SUPPLY BEFORE UNDERTAKING ANY CLEANING OR MAINTENANCE!

For general cleaning use a soft clean duster - never use harsh abrasive or cleaners. The glass panels should be cleaned carefully with a soft cloth. If in doubt consult a qualified electrician. Refer to Section 3.0 Appliance Data for fuse specification. Excluding fuses, only use genuine manufacturers spare parts available from your supplier.

Replacing the remote control battery:

When the battery becomes weak, the range of the remote control reduced. Replace the battery with a new 3V CR2025 lithium battery .

7.12 Do not mix alkaline, standard(carbon zinc), or rechargeable(nicd, nimh,etc.)

batteries.

7.13 The supply terminals are not to be short-circuited.

Cleaning the Fireplace

Cleaning or polishing products are not recommended. Fingerprints or other marks on the front glass panel can be removed by a piece of soft, damp, lint-free cloth with a good quality household glass cleaner. The front glass panel should always be thoroughly dried with a clean, lint-free cloth or paper towel.

CAUTION: Abrasive cleaners should not be used on the glass panel. Liquids should not be sprayed directly onto any surface of the unit.

8. Others

Environment



Meaning of crossed –out wheeled dustbin:

Electrical appliances should not be disposed as unsorted municipal waste. Separate collection facilities should be used in the disposal of electrical appliances. To have this appliance processed at the end of its useful life please contact WEEECare Plc on 0844 8002004. The relevant producer number is WEE/MM3069AA.



This fire complies with the Safety Standards EN 60335-1 and EN 60335-2-30 which covers the essential requirements of the Low Voltage Directive 2014/35/EU and the EMC standards EN 55014-1; EN 55014 -2; EN 61000-3-2 and EN 61000-3-3 which covers the essential requirements of the European Electro Magnetic Compatibility 2014/30/EU, and the RED standards EN300220-2, EN301489-1, EN301489-3 and EN6247 which covers the essential requirements of the European Radio Equipment Directive 2014/53/EU.



This fire complies with the Safety Standards BS 60335-1 and BS 60335-2-30 which covers the essential requirements of the Electrical Equipment (Safety) Regulations 2016 and the EMC standards BS 55014-1; BS 55014-2; BS 61000-3-2 and BS 61000-3-3 which covers the essential requirements of the Electro Magnetic Compatibility Regulations 2016, and the RED standards BS 300220-2, BS 301489- 1, BS 301489-3 and BS 6247 which covers the essential requirements of the Radio Equipment Regulations 2017.

Control PCB	Remote Control Receiver	Remote Control Transmitter
Hardware: RC01-040A01 Software: 20171024	Hardware: RF290B V1.2	Frequency: ASK/OOK 433.92MHZ Maximum transmit power: 10mW Hardware:RF290A-TX-V1.3 Software: RF290A_C_V0.6.0.hex

